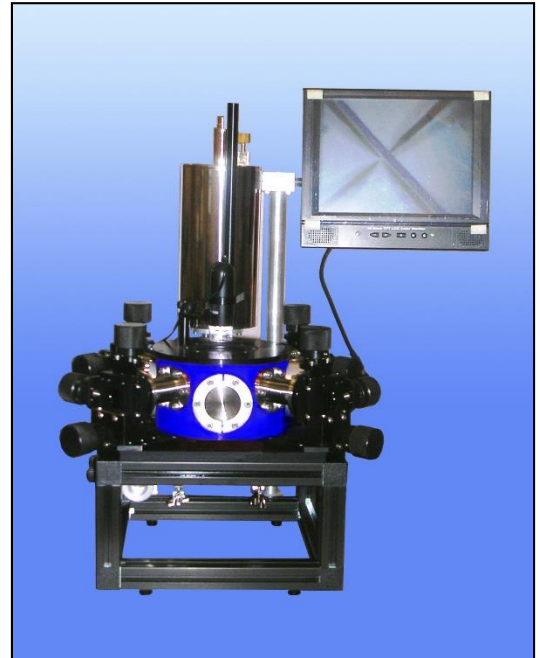


Mini LN2 Probing System

Model: KREUS-LN2M-PS

- ◎ Compact Desktop Probing Station
- ◎ Wide temperature Range from 80K to 500K
- ◎ LN2 Flow control valve
 - ◇ Compact LN2 Cryostat
 - ◇ 30mins to the order of 80K
 - ◇ LN2 Capacity : ~ 1000ml
 - ◇ Insulated Sample Mount
 - ◇ Vacuum Range : ~ 10^{-4} Pa
 - ◇ Probe Needle Exchangeable
 - ◇ Temperature control is easy
 - ◇ 50W Control Heater

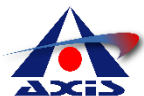


■ Specifications

Temp. Range	: 80K ~ 500K
Sample Size	: 15mm × 15mm
Feed through	: 4 BNC Connectors
Probe Stroke	: X·Y ± 12mm Z ± 6mm
Probe Number	: 4 Manipulators
System Size	: □ 300mm × H601mm

■ Construction

1. Vacuum Probe Chamber
2. LN2 Cryostat
3. Temperature Sensor & Controller
4. 4 Probe Manipulator
5. CCD Camera & Mono Scope
6. LCD Display
7. System Base Stand



AXIS Corporation

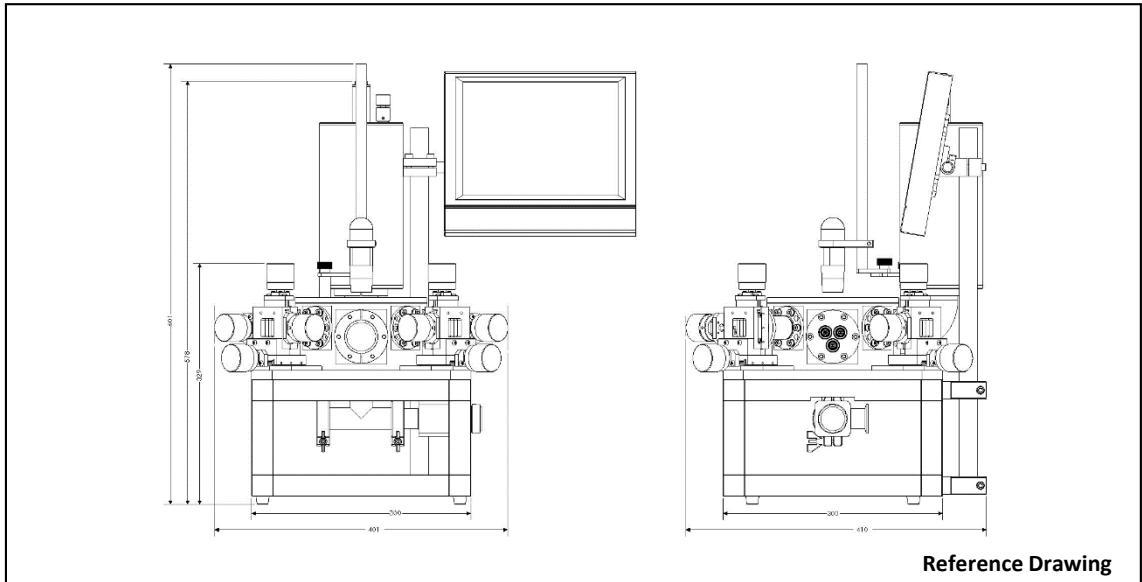
646-2 Sasagi Tsukuba Ibaraki 305-0043 JAPAN
TEL 029-849-2220 FAX 029-849-2221
info@axj.co.jp http://axj.co.jp



Kreuz Design Inc.

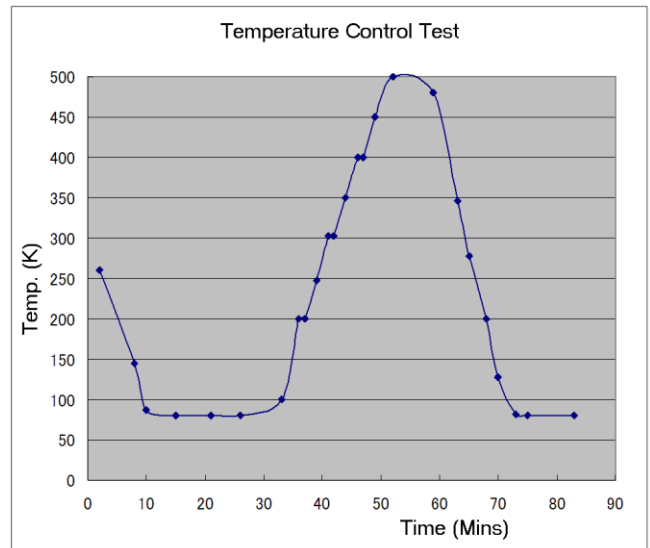
2393 Welcher Ave., unit 302
Port Coquitlam, British Columbia V3C 1X6
Tel :+1 604 945 6639; Fax: +1 604 229 6156
e-mail: epistle@kreus.com

Please contact our office for sales inquiry



Options

1. Bias Measurement Sample Holder
2. High Temperature Application
3. Low Nose Set Up ($< \pm 1\text{pA}$)
4. High Vacuuming Set w/Gauge
5. Convection vacuum Gauge ($\sim 10^{-4}\text{Torr}$)
6. Tungsten Probe Needle (Set of 10 pcs)
7. Gold Plated BeCu Needle (Set of 10 pcs)
8. Angle Adjustable Probe Head
9. Soft Contact Dumper
10. BNC/Triaixial (3 Lug) adaptor



Probe System – No Cryogen

*** Interested in no cryogen system?**

- ▶ Cooled with Free Piston Stirling Cooler System
 - ▶ Turn on Switch and Cool down to below 60K
 - ▶ Mechanical Vibration is effectively isolated
- | | |
|-----------------|--|
| ☆ Temp. Range | : Below 60K ~ 300K |
| ☆ Cooldown Time | : 30 min to 60K |
| ☆ Sample Size | : 15mm x 15mm |
| ☆ Probe Stroke | : X, Y ± 12 mm Z ± 6 mm |
| ☆ Feed through | : 4 Triaxial Connectors |
| ☆ Vacuum | : $\sim 10^{-4}\text{Pa}$ |
| ☆ System Size | : $\square 330\text{mm} \times \text{H}700\text{mm}$ |



* Specifications may change without notice